

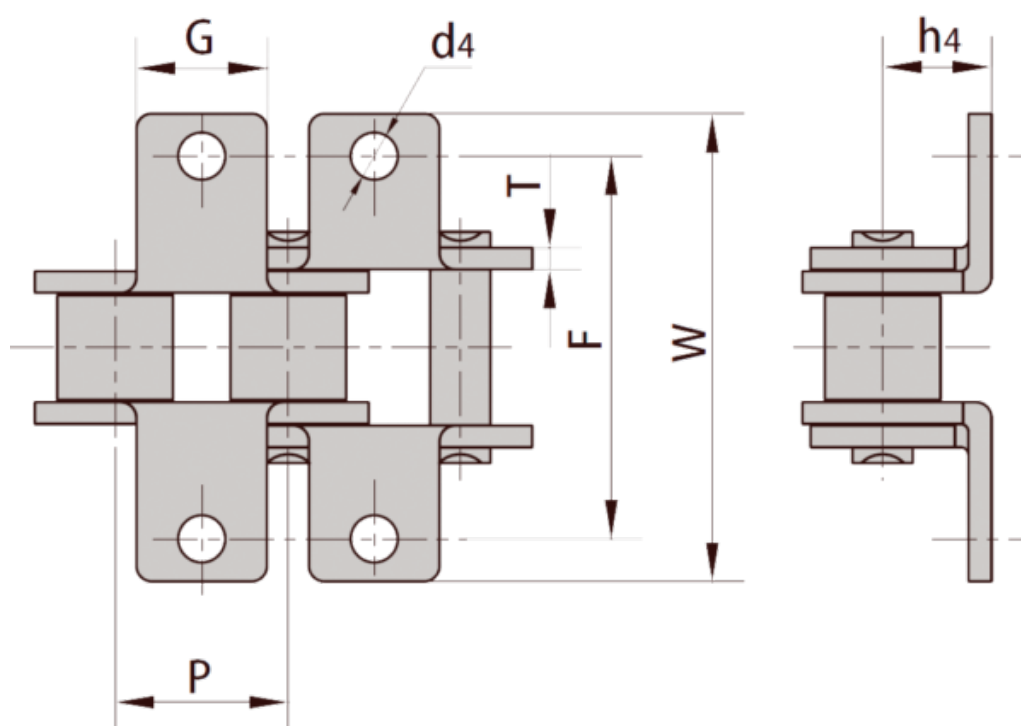
Article number: 6100110081012

Description: 16B1

K1 angled 2 sides, one hole attachment link, spring clip type

Measures

K1 X 2



d4 = 6.4

F = 50.80

G = 19.1

h4 = 15.88

P = 25.40

T = 3.10

W = 72.6